



Replacement procedure of the Biofilter cartridge B520 Pro-13 (150m³ capacity and max 1 year)



- The filter units are placed after the CITY WATER meter, which MUST deliver DRINKING WATER according to the "European Drinking Water Directive 9883EG 1998". In all cases the devices offered by SA Dynamized Technologies can only be placed after a water that is legally drinkable or recognized drinking by a recognized laboratory!
- It is important to renew the filter cartridge because, beyond the indicated capacity, active carbon filters may become clogged and lose their effectiveness, with the result that they can become microbe nests. Their microbial load can then become excessive or it can cause the reduction of your water flow !

To find out the date of change of the filter cartridge (after maximum 150 m³ and max 1 year!): it is enough to add 150 m3 to the m3 which were indicated on your general water meter on the day of the placement of the filter or to know your annual consumption based on your water invoice and in all cases after MAX 1 year regardless of your water consumption!

It is important to replace the cartridge in order to avoid the saturation of it (for example rust due to the galvanized pipes of the companies of distribution of city water, pollutants, heavy metals, limestone ...) with the risk of obstruction of the passage of the water or lack of filter adsorption as well as changing the taste of your filtered water!



Photo of the rust saturating a non-replaced cartridge (due to the galvanization of the pipes of the water supply company)

How to replace the cartridge: First remove the plastic packaging!



When replacing the Biofilter cartridge, **first close the shut-off valves after the Biofilter** (downstream, dynamizer direction) -> to close the valve turn the knob (in the picture below in red) so that it is perpendicular to the water pipe, as well as the shut-off valve **before** the Biofilter (upstream, direction city water meter), this to prevent that the Biofilter is pressurized with tap water and does not splash water when you open it to replace the cartridge!



Then **Open the Biofilter by turning the side wheel (black)**





Remove the old filter cartridge (which can be thrown in the trash)



Discard the water at the bottom of the Biofilter housing (the water may be black due to the active carbon coming out of the filter that is no longer under pressure or brown if there is oxidation in the pipes. galvanized from the city water distribution company = iron oxide) & wash the inside of the half-case, the 2 black rubber gaskets and the blue plastic ring:



Replace the old cartridge with the new cartridge (having previously removed the plastic packaging!)
Taking into account the UP = open hole on the top of the cartridge facing up:



Check that the **2 O-Rings** (2 black rubber gaskets coiled on either side, above and below the blue plastic ring, intended to guarantee the tightness of the filter) are present



Properly place (stable = horizontally flat) the O-ring on the lower edge of the Biofilter stainless steel housing





Make sure that the stainless-steel strapping slide of the Biofilter matches the contours of the housing of the filter as shown in the photos below:

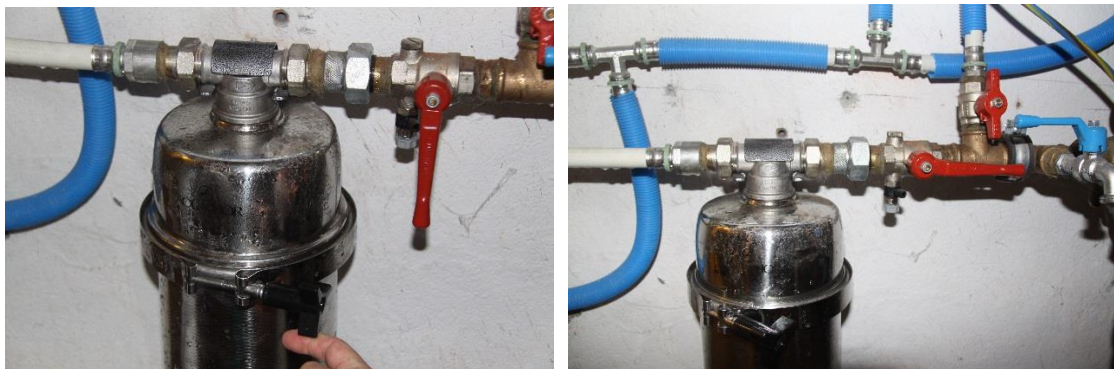


Close the filter using the black knob, screwing the ring tightens the strapping slide to seal hermetically the filter. There remains a small free space in the middle of the strapping slide (the 2 parts of the strapping slide do not touch!), picture below.



And then open the valves:

First, the one upstream (before the filter: direction city water meter) then, and after having previously opened a valve of the hydraulic installation downstream (to avoid too much air in the piping) **PROGRESSIVELY OPEN THE DOWNSTREAM VALVE** of the filter (after the Biofilter), in order to avoid producing too much sudden pressure in the pipes which could result in loose limescale particles inside the pipes with the consequence of blocking pipes or fittings !!!



Valve closed (perpendicular to the pipe) Valve open (parallel to the pipe)

Then open all the water taps in the house (faucets, showers, baths ...). Air will escape through the open water tap (the opaque appearance of the water is actually air mixed with water). This air disappears after a few seconds to make the water completely transparent! After several minutes of water flow, the air in the pipes will disappear and the water will be immediately transparent again!



Refer to the manufacturer's user manual located inside the filter packaging:

Table 2. Performance data.

Type of water purifier housing	Aquaphor Viking	Aquaphor Viking Midi	Aquaphor Viking Mini
Overall dimensions of the water filter housing assembled (mm)	180/595	180/425	180/255
Maximum working pressure of water (bar/psi)	0,65 (6,3)		
Mass (kg)	4,0	3,4	2,7

The unit box should include (PCs):

Water filter (housing assembled)	1
Holder	1
Quick junction	2
User manual	1
Packing	1

Water filter housing installation

Installation of the water filter housing (fig. 1):

- turn off water supply and relieve pressure;
- determine the best place to mount the holder (1). Allow about 20 mm under the housing and serviceability for easy filter cartridge replacement.
- Mind: the holder's operating load is about 15 kg;
- take the holder off the water filter;
- drill a hole in determined place and fix the holder on the wall;
- place the filter cartridge into the filter housing, assemble the water filter and fix it on the holder.

Connection of the water filter housing to the water-pipe:

Use metal-plastic or copper pipes. The internal thread of the connecting pipe should be G3/4 for quick junction connecting. While assembling follow the fig. 2 scheme.

After installation of a new filter cartridge:

- turn on water supply;
- open slowly cold water valve to adjust the recommended flow rate;
- discard the filtered water for 15–20 minutes;
- your filter is ready for operation.

Replacing the filter cartridge

- turn off water supply and relieve pressure;
- unscrew the coupling nuts (4) and disconnect the quick junction (3) from the holder (1);
- having turned off the handle (6), take off the locking plate (5) from the holder (1);
- take off the filter from the holder (1) and pour out surplus of water;
- unscrew the handle (7) and take away the water filter clamp;
- take away the upper semi-housing and disconnect the filter cartridge off the connecting pipe;
- wash out the semi-housings, rubber gaskets (8) and plastic ring (9) from dirt (fig 3);
- place a new filter cartridge;
- assemble the filter, providing proper placing of two rings (8) into the ring (9) and the ring (9) into the bottom semi-housing;
- put the clamp on the semi-housings and screw the handle (7) against stop;
- place the assembled filter on the holder (1);

NOTE: Follow the IN and OUT pointers on the manifold (fig. 2).

- assemble the quick junction (3) having screwed the coupling nuts (4) against stop;
- place the locking-plate (5) on the holder (1) and screw the handle (6);
- turn on water supply and make sure that there is no leakage.

Replace the filter cartridge in proper time.

Fig. 1 - Installation

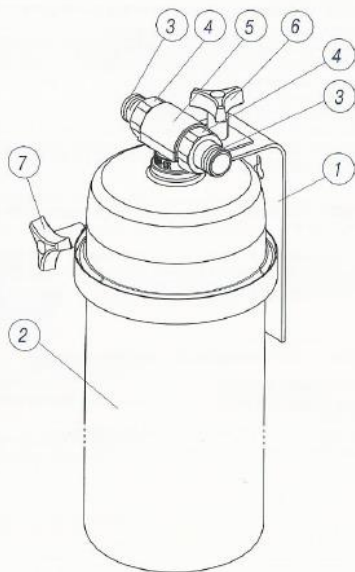


Fig. 2 - Connection of the water filter housing to the water-pipe

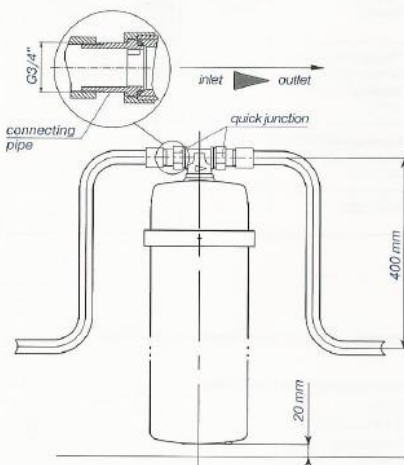
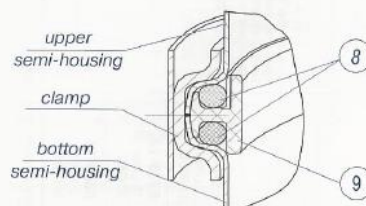


Fig. 3 - Profile of junction of semi-housings



ATTENTION

The water filter should be installed by special trained personnel only.
If the filter was not used for more than 7 days, discard the filtered water for 5 minutes.
Use only fresh filtered water.
Do not expose the water filter to freezing temperatures.
Guard from blows and falls.



Replacement filter cartridge AQUAPHOR B520-13

USER MANUAL

AQUAPHOR B520-13 filter cartridge has a composite carbon-block structure and it is used for complex purification of cold tap water. This filter cartridge has an optimal combination of fibrous and granular components and effectively removes chlorine, organic compounds, heavy metals, sediment, sand and rust particles in water.

AQUAPHOR B520-13 can be used in the AQUAPHOR VIKING water filter housing.

MANUFACTURER'S RATINGS

Overall dimensions of the replacement filter cartridge	144 x 500 mm
Weight	3.5 kg
Filter cartridge capacity	100 000 liters (26 417 gal.)
Recommended flow rate	25.0 liters/min
Temperature of water	+5 ... +38 °C (41–100.4 °F)

Reduces suspended and sediment particulates matter 5 micron or larger in the incoming water.

THE UNIT BOX SHOULD INCLUDE

Replacement filter cartridge
User manual
Packing

SERVICING

ATTENTION! After installing the new filter cartridge:

- Open the incoming water valve;
- Adjust the incoming water line valve in accordance with the recommended flow rate (capacity) water filter;
- Flush the filter for 20 minutes (open any valve in your household);
- Close the valve; and allow the water filter to stand for 20 minutes;
- Flush the water filter again for 20 minutes (open any valve in your household)

Recommended Transportation and storage of the filter cartridge:

- do not allow impacts and prevent the filter cartridge from falling;
- do not place the filter cartridge near heating devices;
- prevent the filter cartridge from freezing.

WARRANTY

The capacity (resource) of the replacement filter cartridge is 100 000 liters (26 417 gallons) of tap water, but not more than 6 months using cartridge. Capacity of the replacement filter cartridge can vary depending on the quality of influent water (or quantity of impurities, redundant water hardness, etc). Once it has reached its expiration date, the cartridge should be replaced. The storage period of the replacement filter cartridge before operation is 3 years when storage conditions are +5 to +40 °C (41–104 °F). If you have any claims regarding the quality of the water purifier, please contact the seller or manufacturer.

AQUAPHOR[®] Westaqua-Invest OU, L. Tolstoi 2A,
40231, Sillamäe, Estonia.
www.aquaphor.com